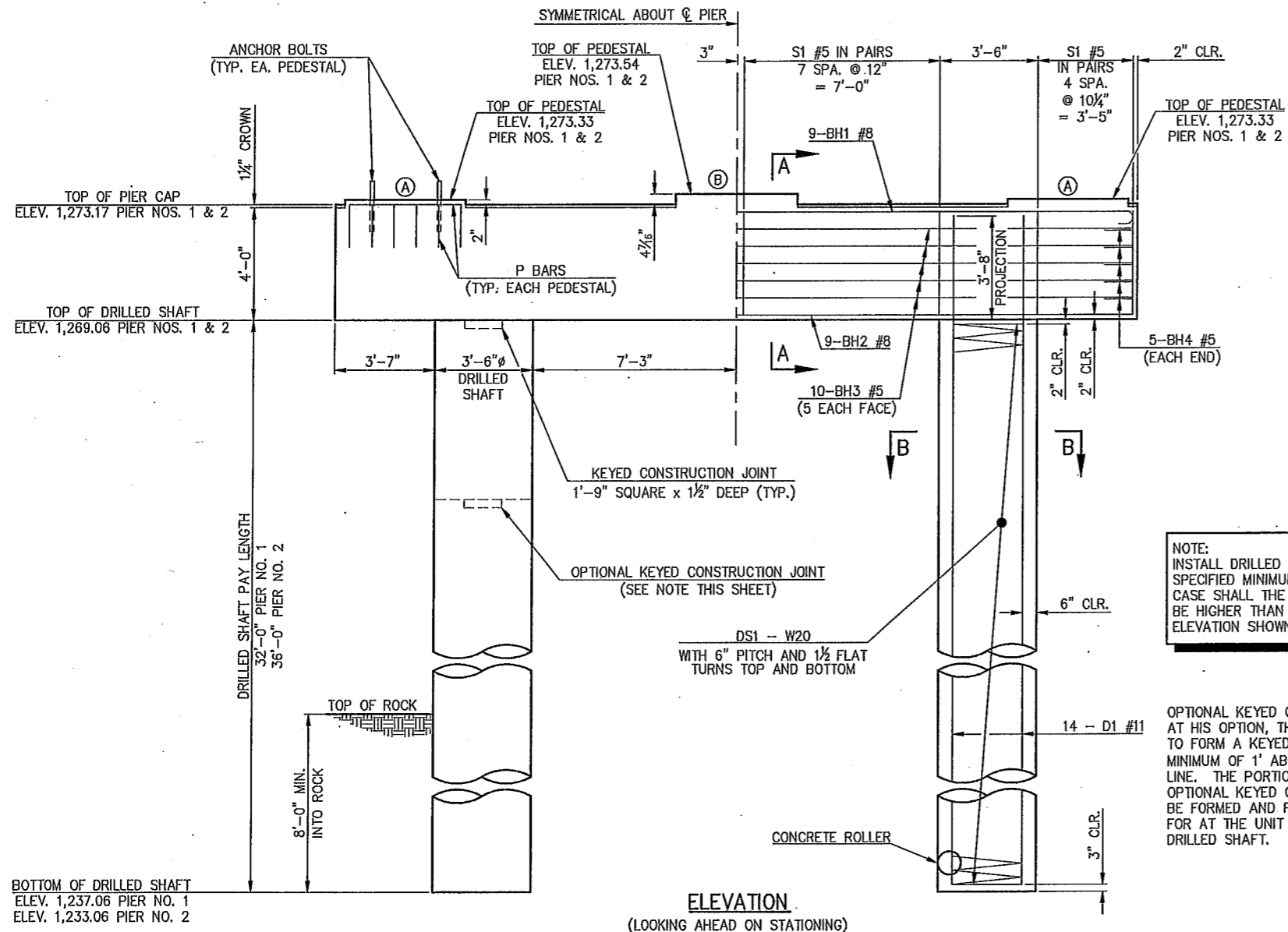
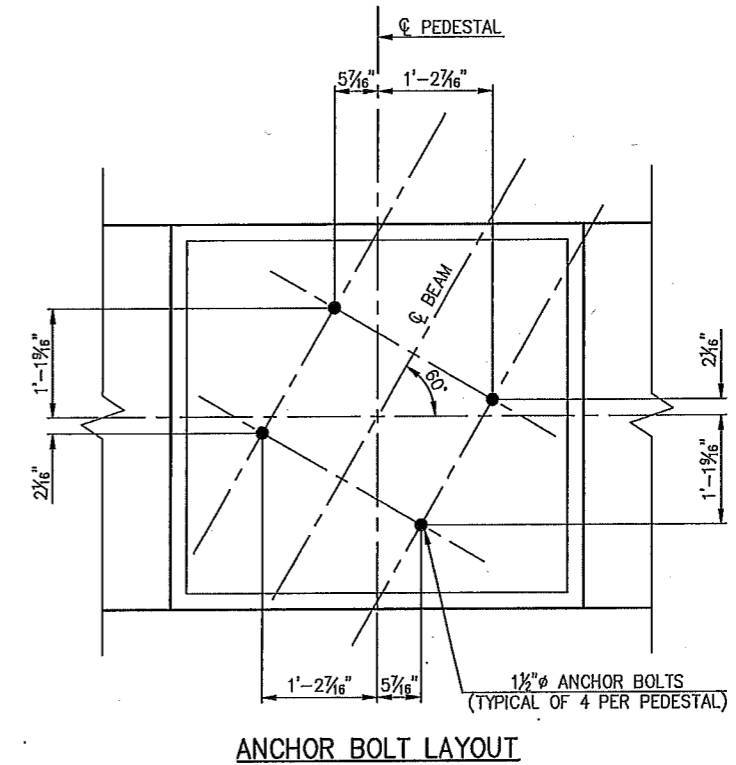
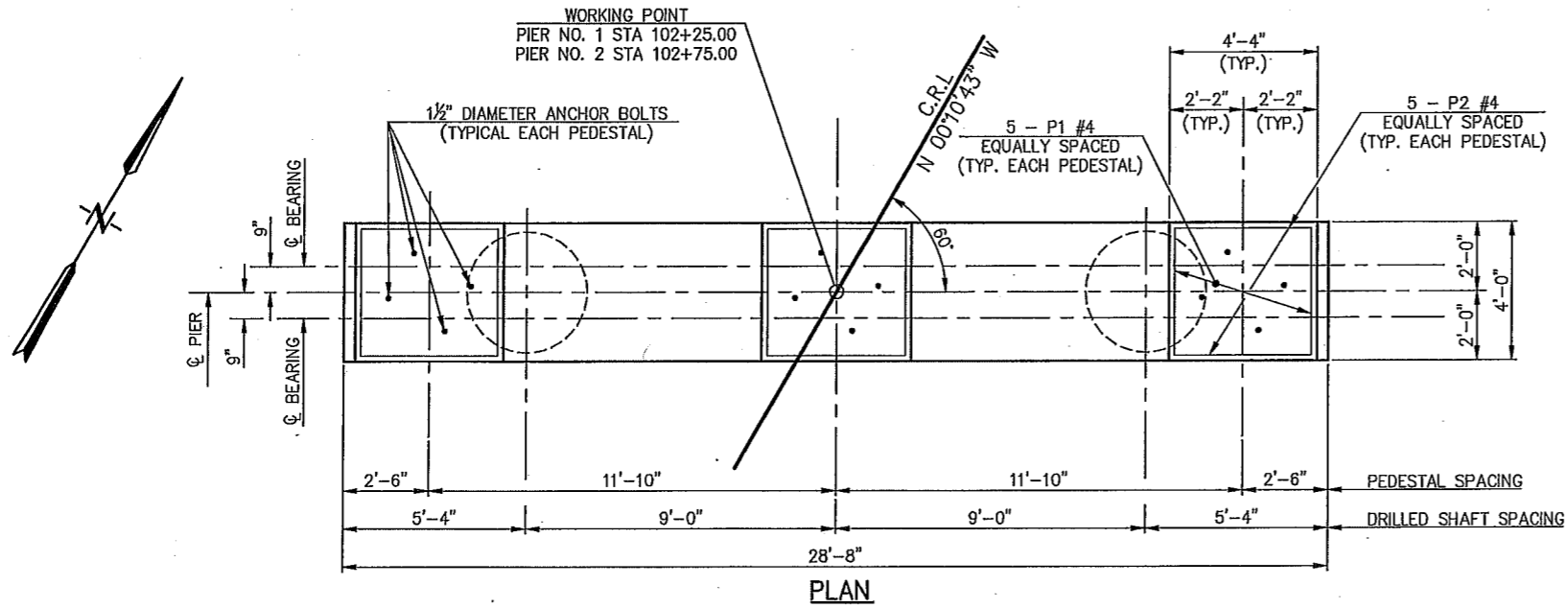


| DESCRIPTION | REVISIONS | DATE |
|-------------|-----------|------|
|             |           |      |



NOTE:  
INSTALL DRILLED SHAFTS AT LEAST THE SPECIFIED MINIMUM DISTANCE INTO ROCK. IN NO CASE SHALL THE BOTTOM OF THE DRILLED SHAFT BE HIGHER THAN THE BOTTOM OF DRILLED SHAFT ELEVATION SHOWN IN THE PLANS.

OPTIONAL KEYED CONSTRUCTION JOINT:  
AT HIS OPTION, THE CONTRACTOR MAY ELECT TO FORM A KEYED CONSTRUCTION JOINT A MINIMUM OF 1' ABOVE THE NATURAL GROUND LINE. THE PORTION OF SHAFT ABOVE THE OPTIONAL KEYED CONSTRUCTION JOINT SHALL BE FORMED AND POURED, AND SHALL BE PAID FOR AT THE UNIT PRICE PER LINEAR FOOT OF DRILLED SHAFT.

| PIER QUANTITIES             |      |            |            |          |
|-----------------------------|------|------------|------------|----------|
| ITEM                        | UNIT | PIER NO. 1 | PIER NO. 2 | TOTAL    |
| CLASS A CONCRETE            | C.Y. | 17.80      | 17.80      | 35.60    |
| REINFORCING STEEL           | LB.  | 2,600.00   | 2,600.00   | 5,200.00 |
| DRILLED SHAFTS 42" DIAMETER | L.F. | 64.00      | 72.00      | 136.00   |

PROFESSIONAL ENGINEER  
MICHAEL B. SIMMONS  
24576  
2/26/2016

NS-255 OVER SAND CREEK MAJOR COUNTY  
BRIDGE "A"

Design MZV 2/16  
Detail MZV 2/16  
Check MBS 2/16  
Suppl. Engr.

DETAILS OF PIERS (SHEET NO. 1 OF 2)

STATE OF OKLAHOMA GUY ENGINEERING SERVICES, INC.  
JOB PERM. NO. 28348(04) SHEET NO. BO02

Friday, February 26, 2016 2:57:55 PM  
V:\16-991E\_NS255\_Sand Ck\_28348\_CED8\_Major County\STRUCTURAL\DWG\Sand Creek Creek - PIERS.dwg